

Exterior Module





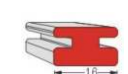
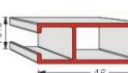
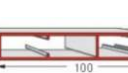




An Outdoor Module Sign System






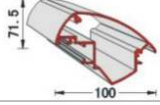
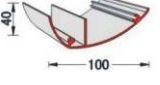
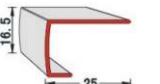
EXTERIOR MODULE is the complete external directional sign system. As well as being both modular and interchangeable, Module Plus is extremely robust. The system consists of four post options - circular, square, square with notch and rhombic - together with a range of aluminium panels available at 46 mm, 100 mm and 150 mm high.

Accessories include a range of support parts, post caps and post feet. Post and text panels can be supplied as components or cut to size lengths in either mill, anodised or powder coated finishes

Exterior Module is a multifunctional modular systems that always meet to the client's wishes, whether for simply presenting the company or for a complete programme of signage throughout the company's premises.



S/N	Describ
 XC16	60mm Post
 XC17	90mm Post
 XC18	80mm Post
 XC19	80mm Post
 XC20	
 XC22	46mm Panel
 XC25	100mm Panel
 XC21	150mm Panel
 XC46	40mm Panel
	60/90mm Post cover
	80mm Post cover

	Bracket
	Post feet(cast-iron)
	Feet cover
	Feet bracket
	Post cover
	LZ09
	LZ10
	LZ11

